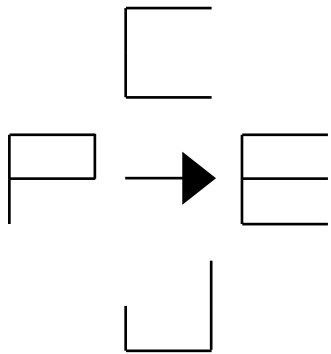
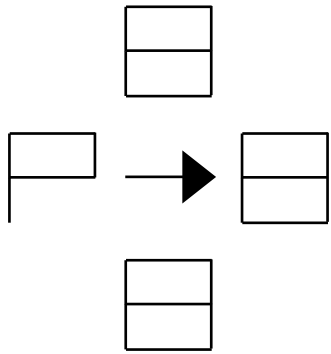


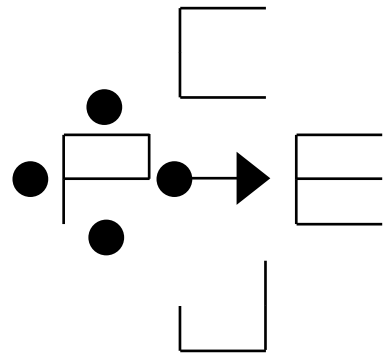
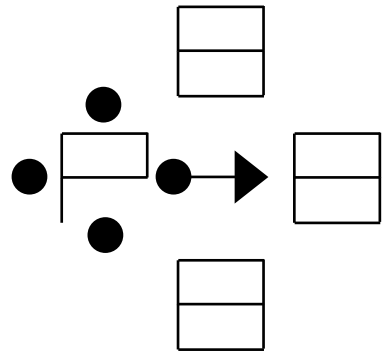
100% valid cue
target is an E or H

Preview display



"Form change" condition

Preview + onset display



"Onset + form change" condition